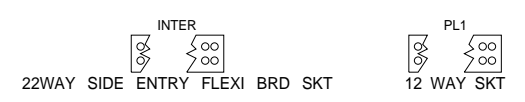


03B	CCO NO. 1654-003	BRD			08-01-01
03A	CCO NO. 1654-002	BRD			26-09-00
02A	CCO NO. 1654-001	BRD			09-8-00
01A	NEW PA LINEUP SYNTH RX	BRD			10/07/00
REV/ISS	AMENDMENTS	DRAWN	CHKD	D.O.	APVD DATE

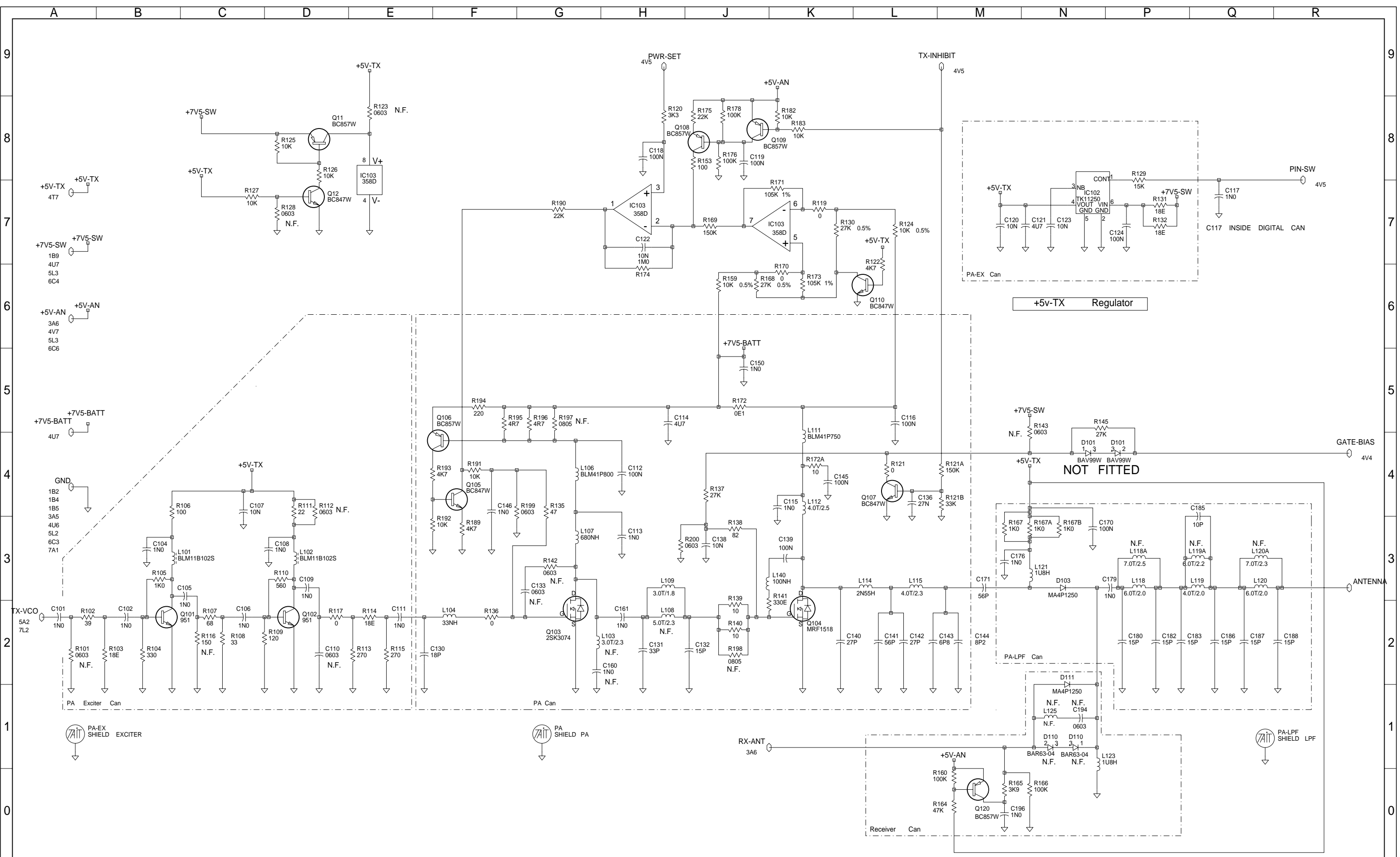


© **TAIT ELECTRONICS**

**TOP T5K 174-225MHZ SYSTEM DIAGRAM**

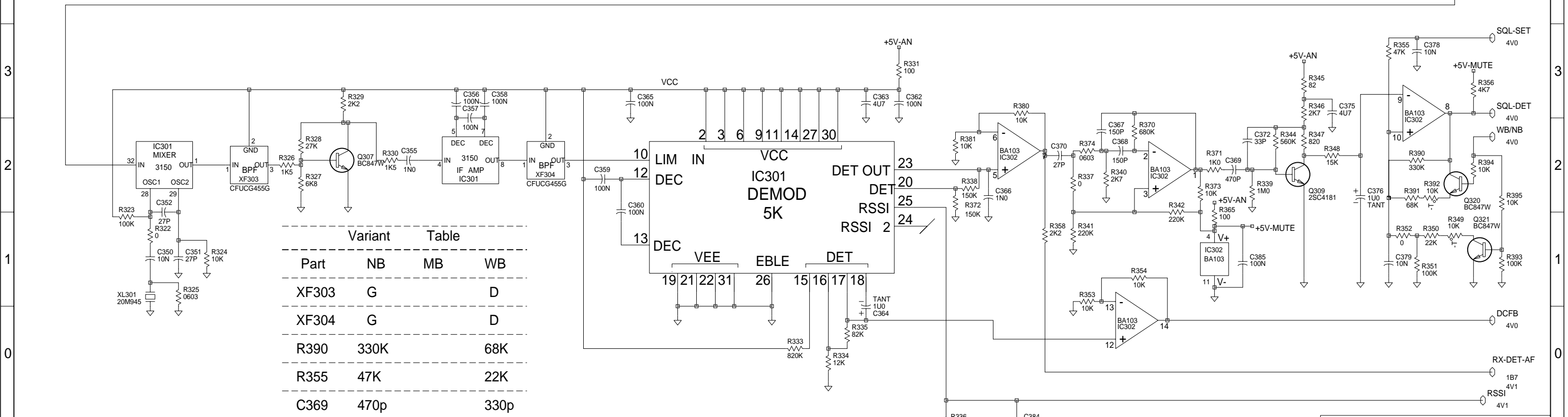
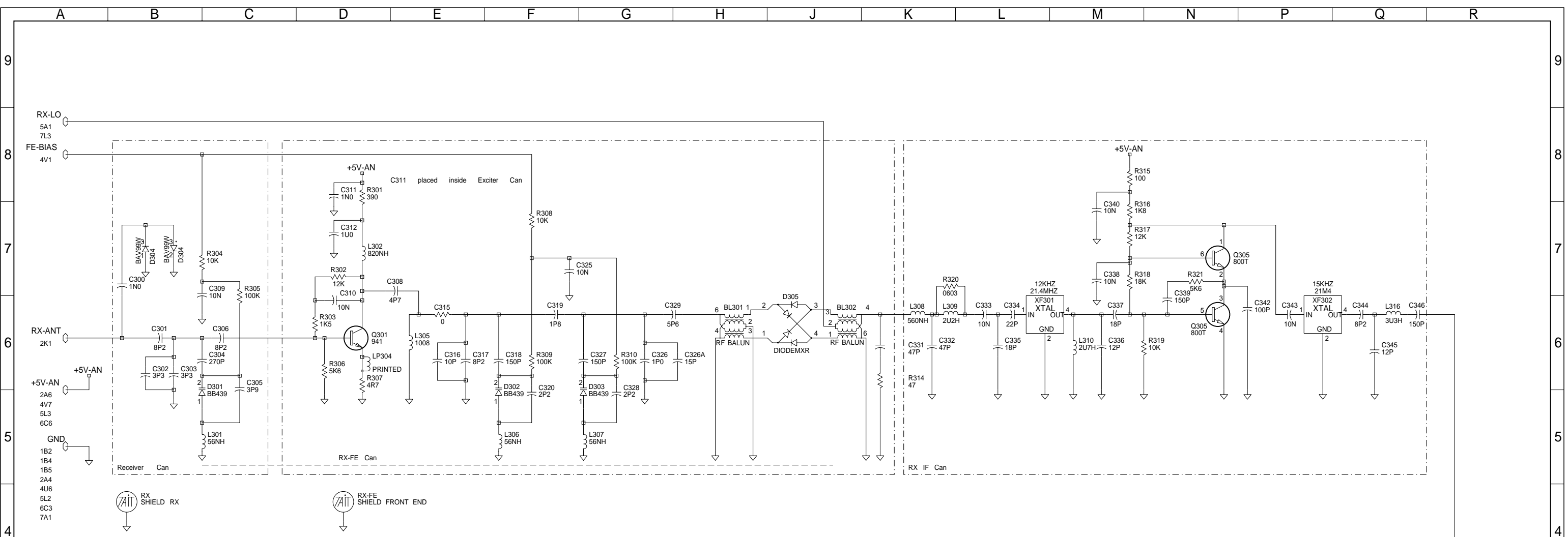
IPN: 220-01654-03 ISSUE: B ID: 2.S.C. 1

PROJECT: TAIT ORCA DESIGNER: BRD FILE NAME: 165403b DATE: 8-Jan-01 NO.SHEETS: 7



© TAIT ELECTRONICS	
TOP T5K	174-225MHZ
POWER AMPLIFIER	
IPN: 220-01654-03	ISSUE: B
DESIGNER: TAIT ORCA	FILE DATE: 8-Jan-01
BRD: 165403b	NO. SHEETS: 7

REV/ISS	AMENDMENTS	DRAWN	CHKD	D.O.	APVD	DATE
A						

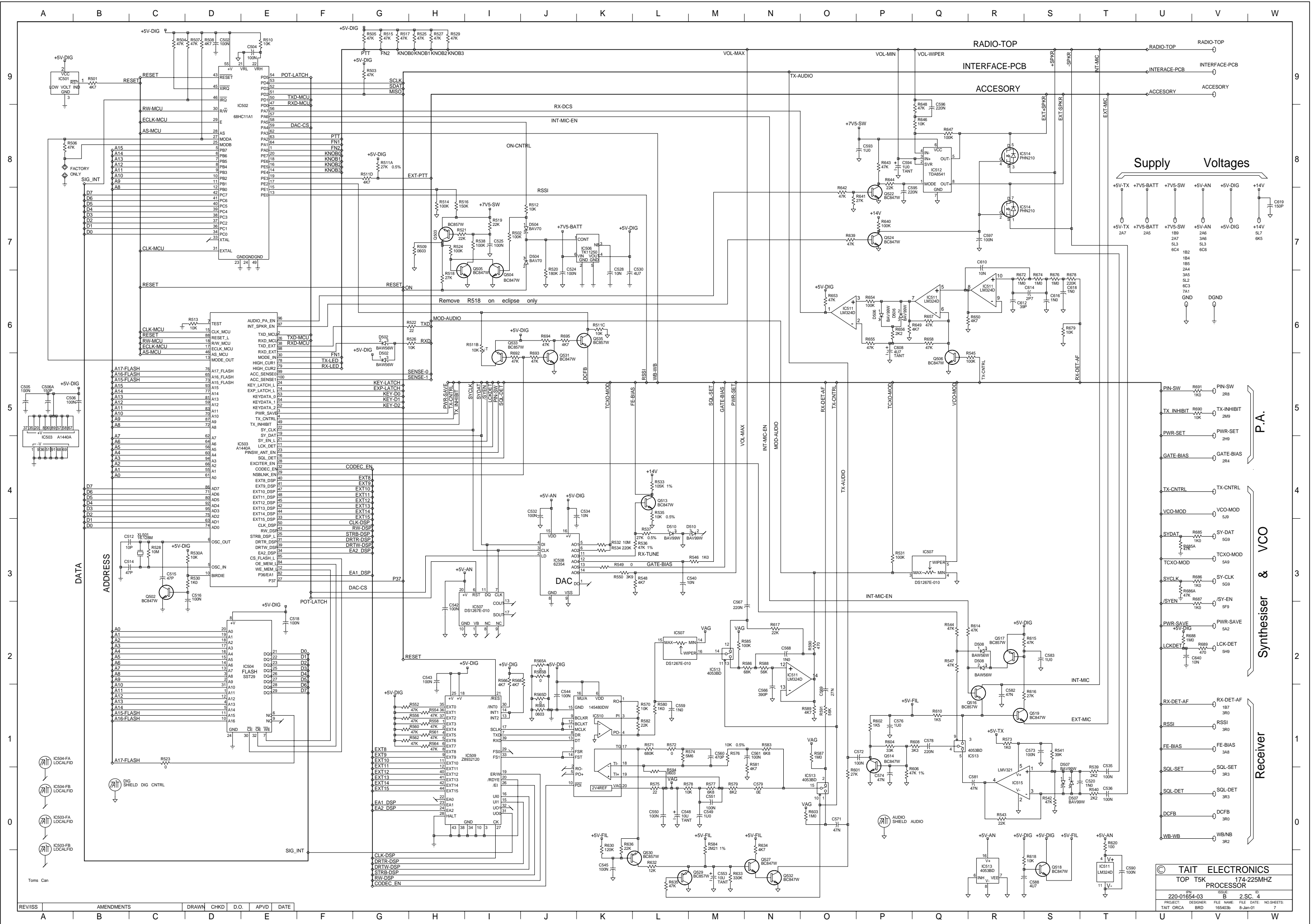


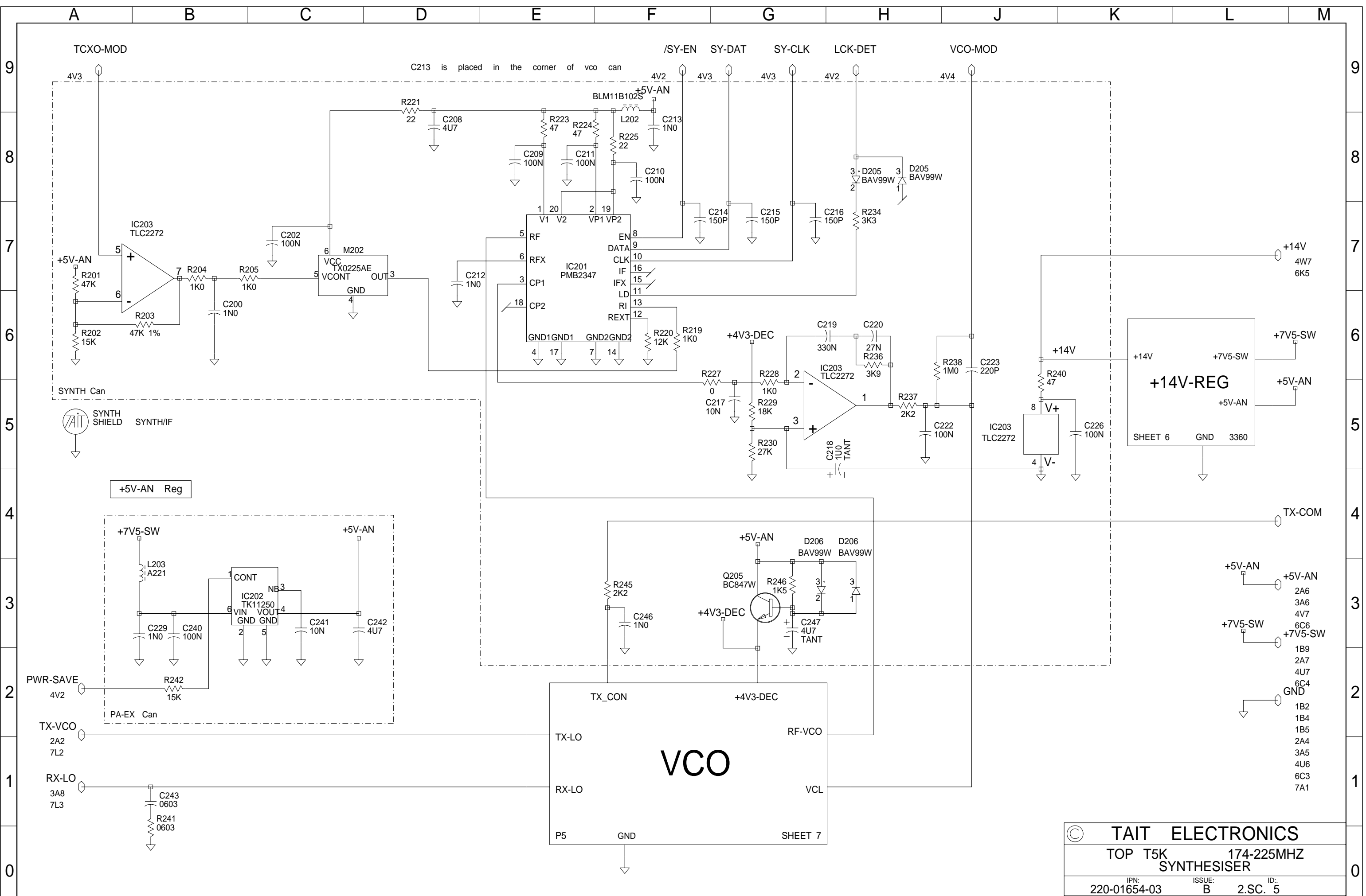
Variant Table

Part	NB	MB	WB
XF303	G		D
XF304	G		D
R390	330K		68K
R355	47K		22K
C369	470p		330p

© TAIT ELECTRONICS  
 TOP T5K 174-225MHZ RECEIVER  
 IPN: 220-01654-03 ISSUE: B 2.S.C. 3  
 PROJECT: TAIT ORCA DESIGNER: BRD FILE NAME: 165403b FILE DATE: 8-Jan-01 NO.SHEETS: 7

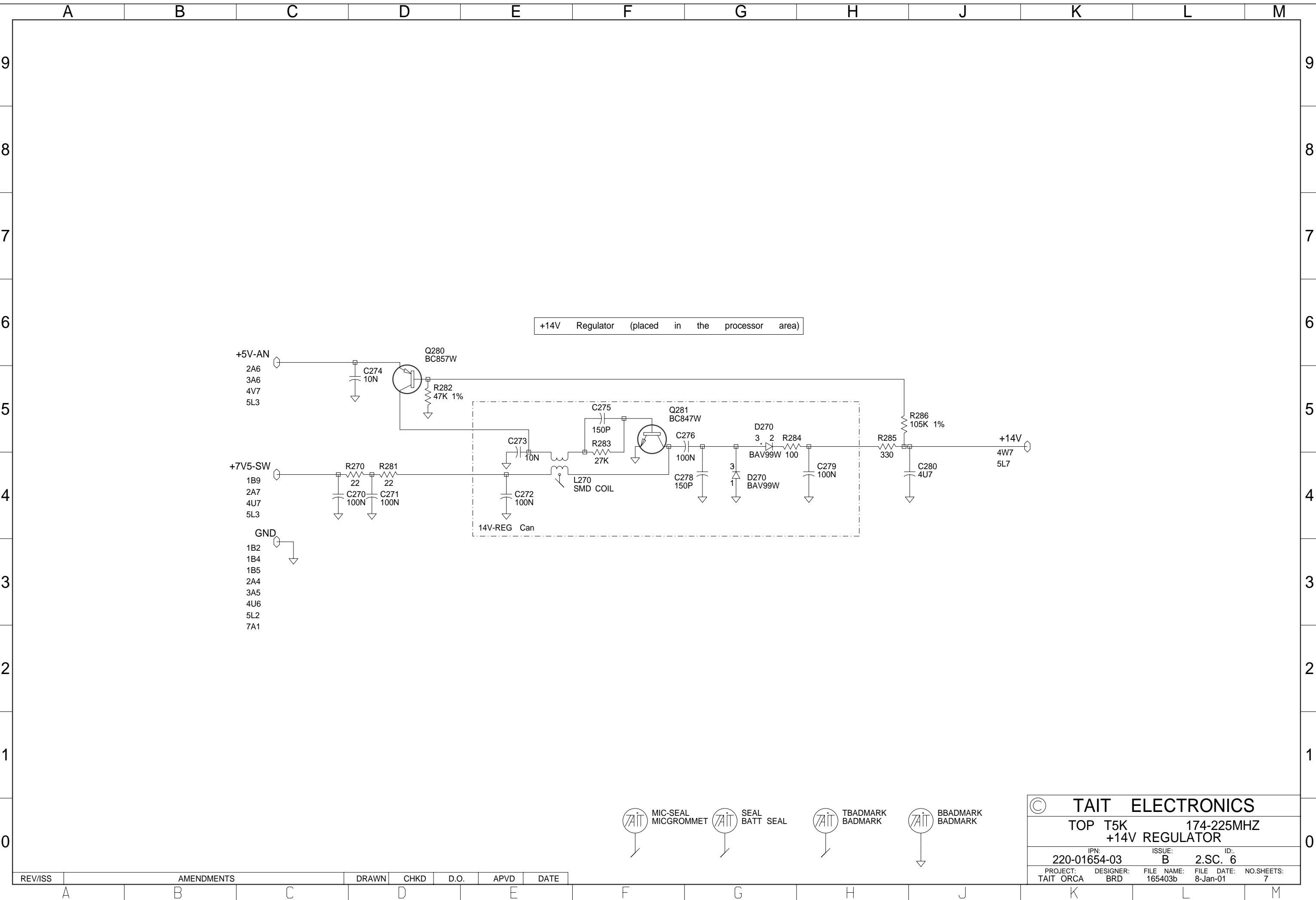
REV/ISS	AMENDMENTS	DRAWN	CHKD	D.O.	APVD	DATE



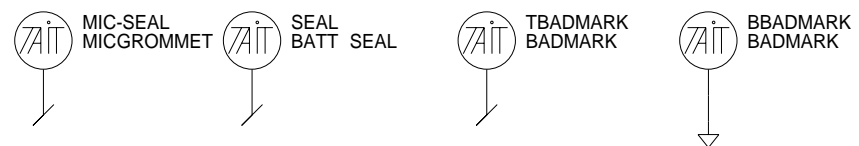


© TAIT ELECTRONICS  
 TOP T5K 174-225MHZ SYNTHESISER  
 IPN: 220-01654-03 ISSUE: B ID: 2.SC. 5  
 PROJECT: TAIT ORCA DESIGNER: BRD FILE NAME: 165403b FILE DATE: 8-Jan-01 NO.SHEETS: 7

REV/ISS	AMENDMENTS	DRAWN	CHKD	D.O.	APVD	DATE

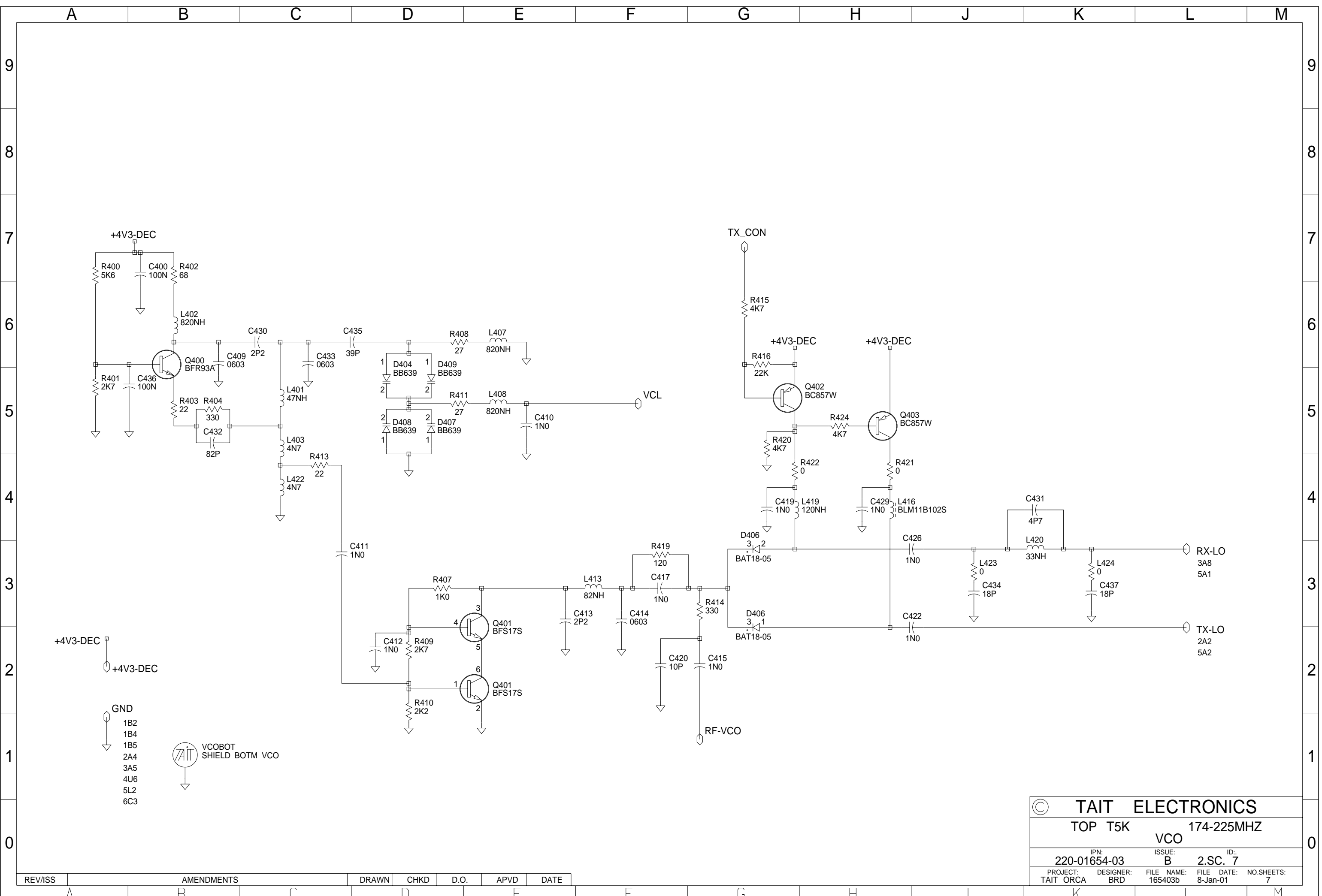


+14V Regulator (placed in the processor area)



© TAIT ELECTRONICS				
TOP T5K		174-225MHZ		
+14V REGULATOR				
IPN:	ISSUE:	ID:		
220-01654-03	B	2.SC. 6		
PROJECT:	DESIGNER:	FILE NAME:	FILE DATE:	NO.SHEETS:
TAIT ORCA	BRD	165403b	8-Jan-01	7

REV/ISS	AMENDMENTS	DRAWN	CHKD	D.O.	APVD	DATE
---------	------------	-------	------	------	------	------



© TAIT ELECTRONICS  
 TOP T5K 174-225MHZ  
 VCO  
 IPN: 220-01654-03 ISSUE: B ID: 2.SC. 7  
 PROJECT: TAIT ORCA DESIGNER: BRD FILE NAME: 165403b FILE DATE: 8-Jan-01 NO.SHEETS: 7

REV/ISS	AMENDMENTS	DRAWN	CHKD	D.O.	APVD	DATE